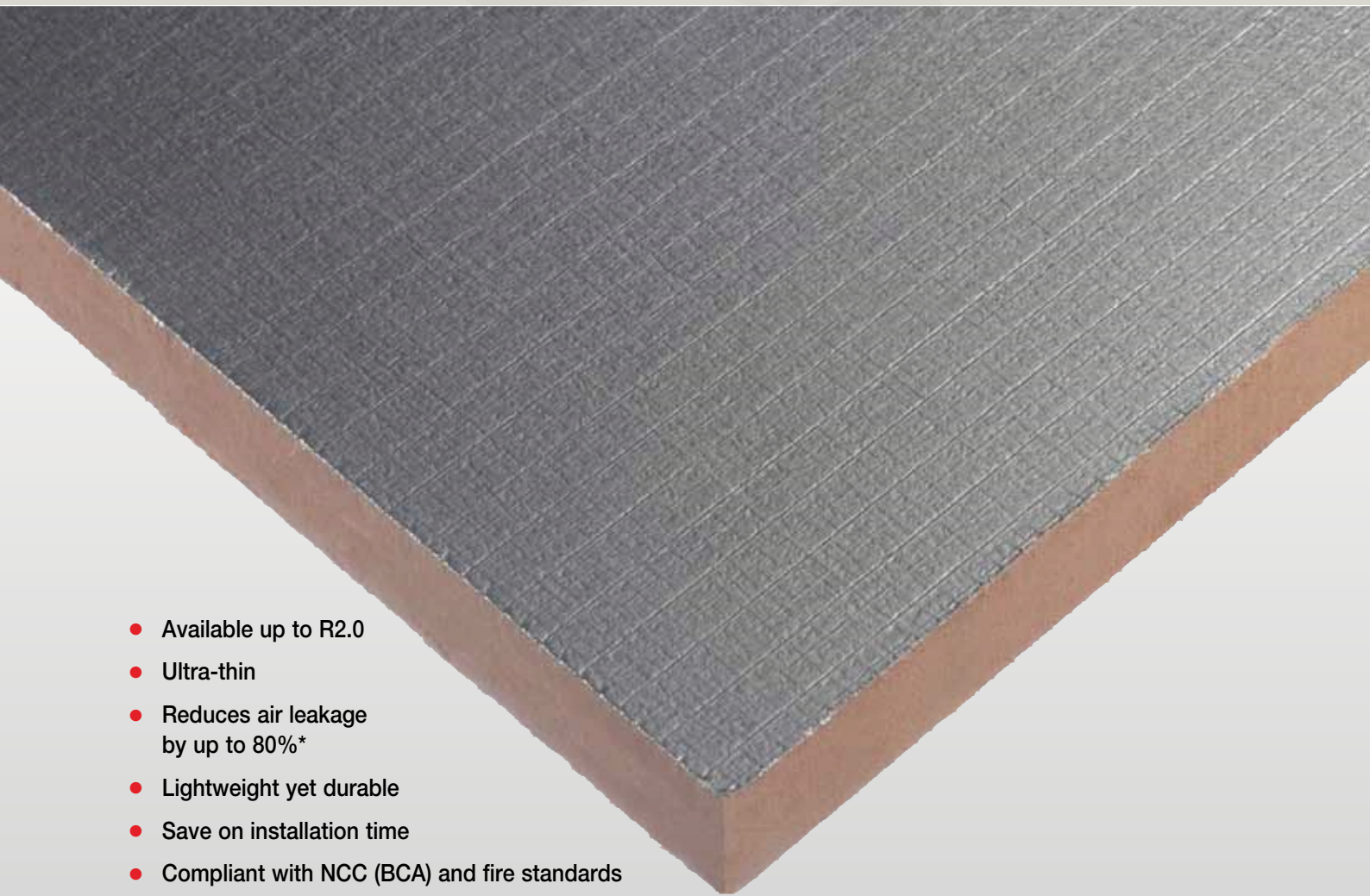




KoolDuct®

HIGH PERFORMANCE, ULTRA-THIN PRE-INSULATED DUCTWORK



- Available up to R2.0
- Ultra-thin
- Reduces air leakage by up to 80%*
- Lightweight yet durable
- Save on installation time
- Compliant with NCC (BCA) and fire standards



R2.0 Product Comparison

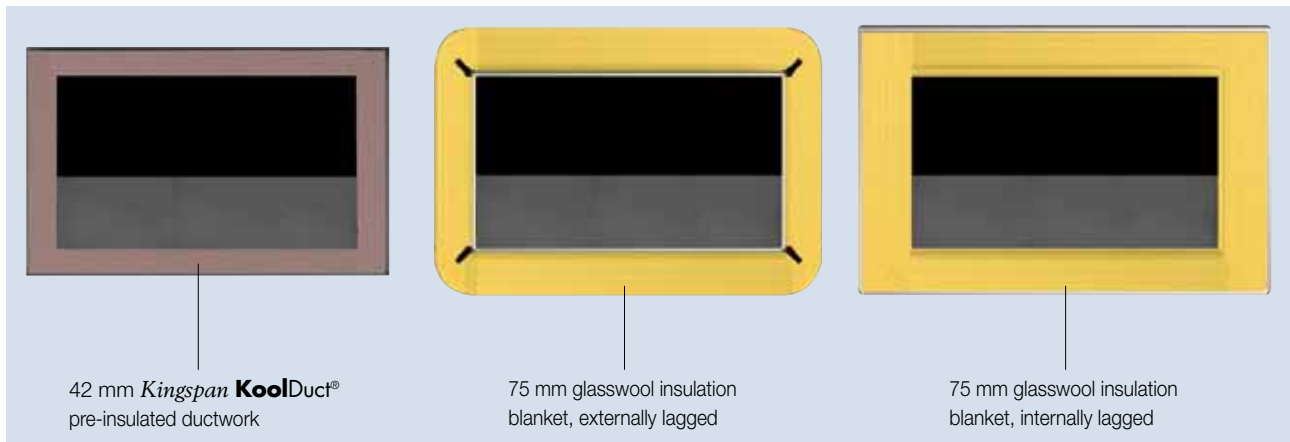


Figure 1 Kingspan **KoolDuct**® Achieves R2.0 in Just a 42 mm Thickness.

Product Overview

The **Kingspan KoolDuct**® System of pre-insulated ductwork is the most advanced and innovative system of air-distribution ductwork available worldwide. It can reduce air leakage by up to 80%*, translating into significant energy savings, reduced heating and cooling loads, smaller plant sizes, and capital cost savings. The **Kingspan KoolDuct**® System is also incredibly lightweight – up to 75% less than sheet metal ductwork – requiring far less support hangers and install labour.

Product Data				
Board Dimensions	1200 mm x 3930 mm			
Board Thickness	20 mm	30 mm	33 mm	42 mm
Product R-value	R1.0	R1.4	R1.6	R2.0

* Minimum order quantities apply

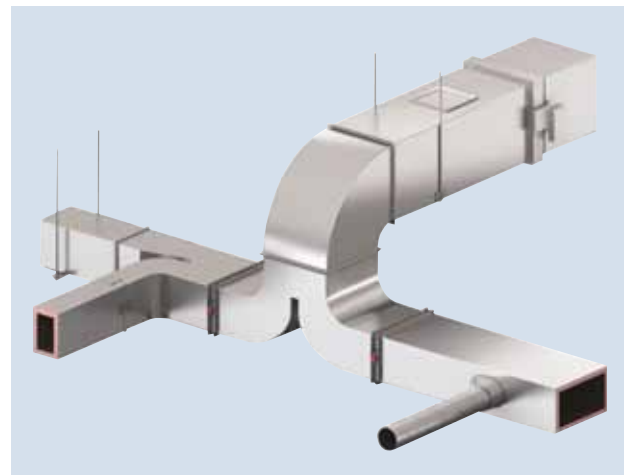


Figure 2 The **Kingspan KoolDuct**® System.

Fire Performance

Standard	Description	Result
UL 181	Burning	Pass
AS 1530.3	Early Fire Hazard Rating	Ignitability Index: 0 Flame Spread Index: 0 Heat Developed Index: 0 Smoke Developed Index: 0-1

* Figure based on research conducted in the US by independent consultants MDA Engineering Inc. 2010



Kingspan Insulation Pty Ltd

Tel: 1300 247 235

Email: info@kingspaninsulation.com.au

www.kingspaninsulation.com.au